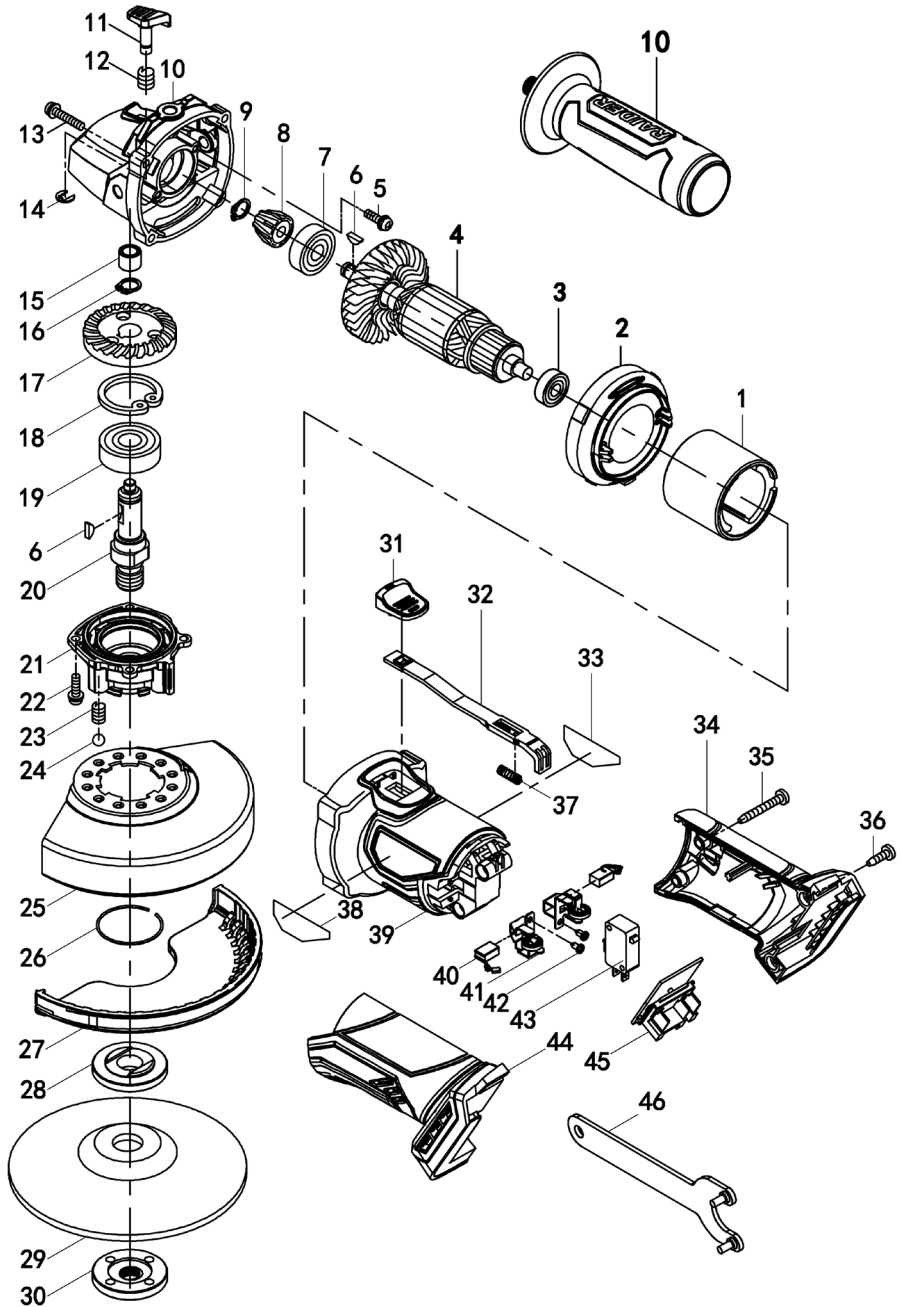


EXPLODED VIEW



SPARE PARTS LIST

NO.	Description	Quantity	NO.	Description
1	stator	1	30	Upper pressing plate
2	windshield	1	31	switch button
3	bearing 625-2Z	1	32	switch pole
4	rotor	1	33	nameplate
5	large flat head screw with pad M4×8	2	34	right handle
6	Half round key 3×3.7×10	2	35	screw ST4.2×30
7	bearing 629-2RS	1	36	screw ST4.2×16-F
8	gear	1	37	Tie rod spring
9	ring 6	1	38	trademark
10	head shell	1	39	house
11	self-locking pin	1	40	carbon brush
12	Knob spring	1	41	Carbon brush holder assembly
13	screw ST4.2×22	4	42	screw (scraping) ST2.9×8
14	Open retaining ring Φ5	1	43	switch
15	Oil bearing Φ8×Φ12×10	1	44	left handle
16	ring	1	45	Electronic control components
17	big gear	1	46	upper wrench
18	ring φ32	1	47	side handle
19	bearing 6201-2RS	1	48	
20	sprindle	1	49	
21	front cover	1	50	
22	screws M4×14	4	51	
23	Steel Ball Spring	4	52	
24	Steel ball	4	53	
25	Wheel cover	1	54	
26	Wire retaining ring for shaft Φ34	1	55	
27	fast change wheel cover	1	56	
28	Lower pressing plate	1	57	
29	Blade	1	58	